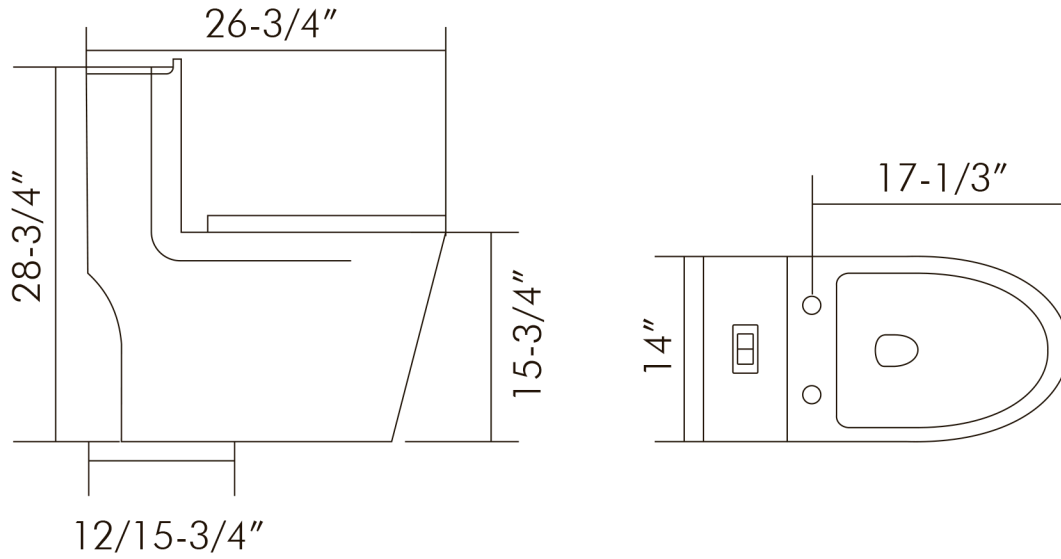




**BSN-835**

TOILETS **SERIES**





## FEATURES

- Ceramic material
- White gloss finish
- Chrome flush buttons
- Soft close seat included
- Dual flush
- 1.06 - 1.6 GPF
- One piece construction
- Floor mount






**TOILET BSN-835**

MODEL	BSN-835
BOWL HEIGHT	15-9/16"
BOWL SHAPE	SQUARE
HEIGHT	28-3/4"
LENGTH	26-3/4"
WIDTH	14"
FLUSH TYPE	DUAL FLUSH
GALLONS PER FLUSH	1.06 - 1.6 GPF
INSTALLATION TYPE	FLOOR MOUNT
MATERIAL (IN)	CERAMIC
COLOR	WHITE
SEAT INCLUDED	INCLUDE
WATER AREA	5-1/2"X6-5/16"
WATERSENSE CERTIFIED	NO
PRODUCT WEIGHT	121.0007 LB
UPC APPROVED	YES



For parts or sale requirements please contact our customer service department:

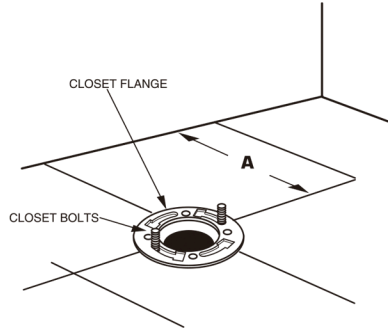
 [CS@daxib.com](mailto:CS@daxib.com)

 1 888 685 8236





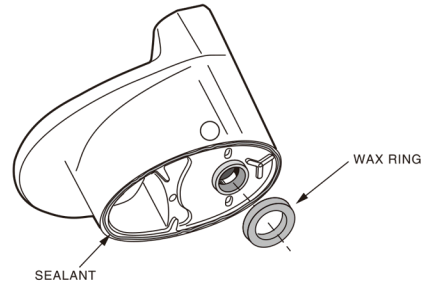
01



**INSTALL CLOSET BOLTS**

Install closet bolts in flange channel, turn 90°, and slide into place 6" (152 mm) apart and parallel to wall.

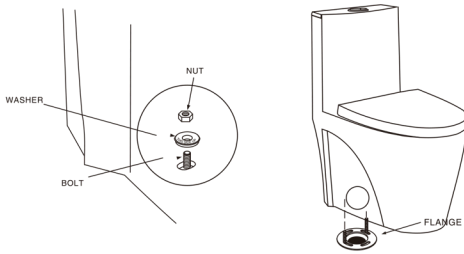
02



**INSTALL WAX SEAL**

Invert toilet on floor (cushion to prevent damage), and install wax ring evenly around waste flange (horn), with tapered end of ring facing toilet. Apply a thin bead of sealant around toilet base.

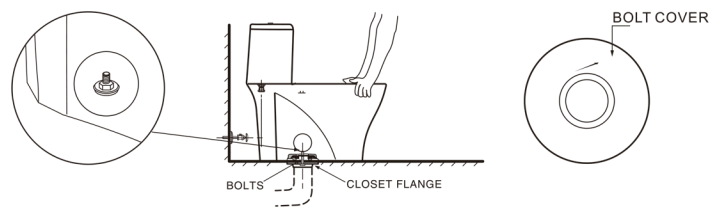
03



**POSITION TOILET ON FLANGE**

- a. Unplug floor waste opening and install toilet on closet flange so bolts project through mounting holes.
- b. Loosely install retainer washers and nuts.

04



**INSTALL TOILET**

- a. Position toilet squarely to wall and, with a rocking motion, press bowl down fully on wax ring and flange. Alternately tighten nuts until toilet is firmly seated on floor.

**CAUTION: DO NOT OVERTIGHTEN NUTS OR BASE MAY BE DAMAGED!**

- b. Adhere bolt covers to toilet.
- c. Smooth off the bead of sealant around base. Remove excess sealant.

05



Apply a mould-proof silicon between the floor and the toilet base.

06

Check the replenishing pipe and see if the water overflow pipe is inserted. Warning: if the overflow pipe is not inserted, the flushing may be affected.

07

Slowly open the water inlet and check the water tightness of each connection joint.

08

Install the toilet seat in accordance with the instructions.

For parts or sale requirements please contact our customer service department:

 [CS@daxib.com](mailto:CS@daxib.com)

 1 888 685 8236

